

McIntosh

MC-75

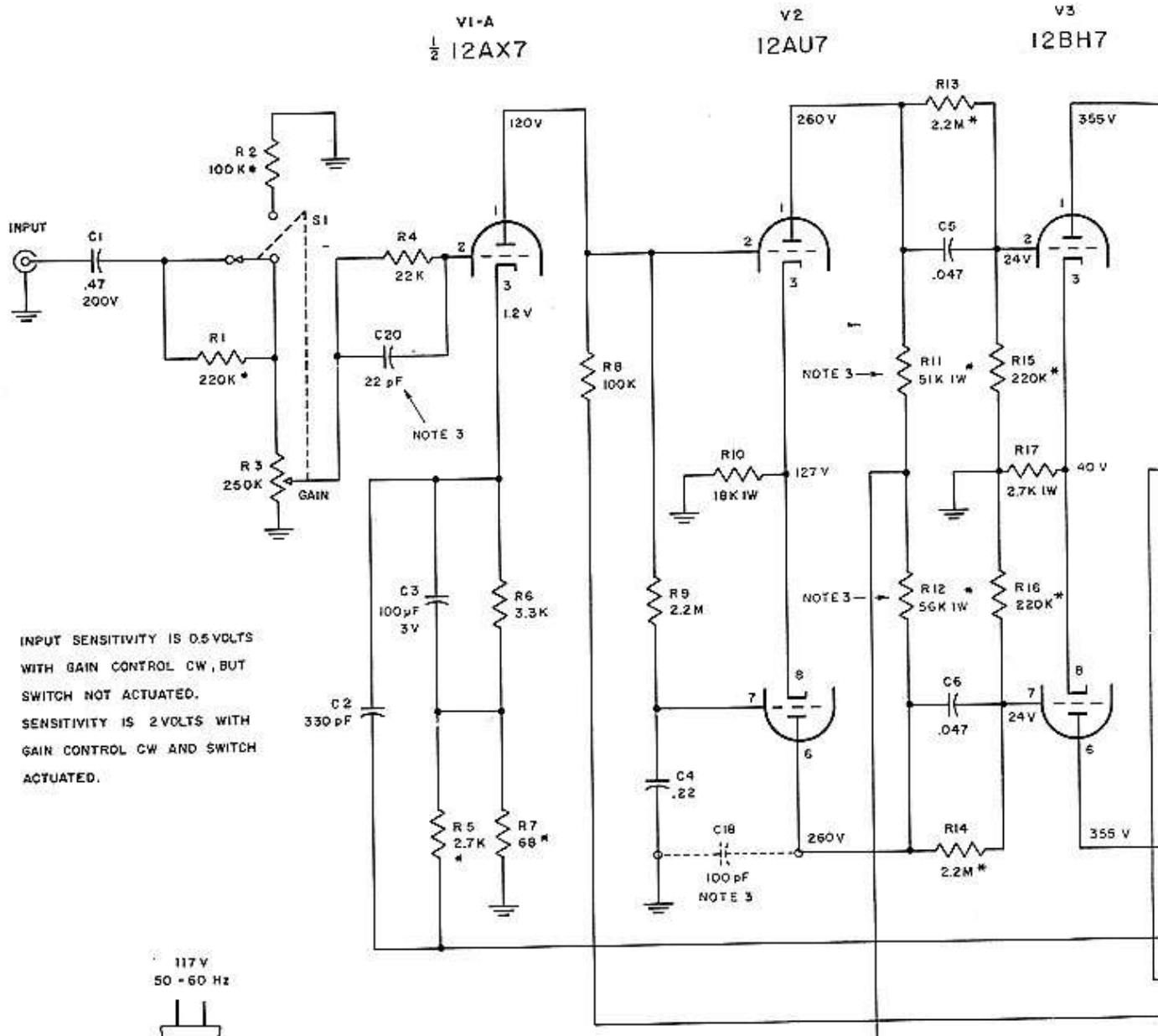


SERVICE INFORMATION

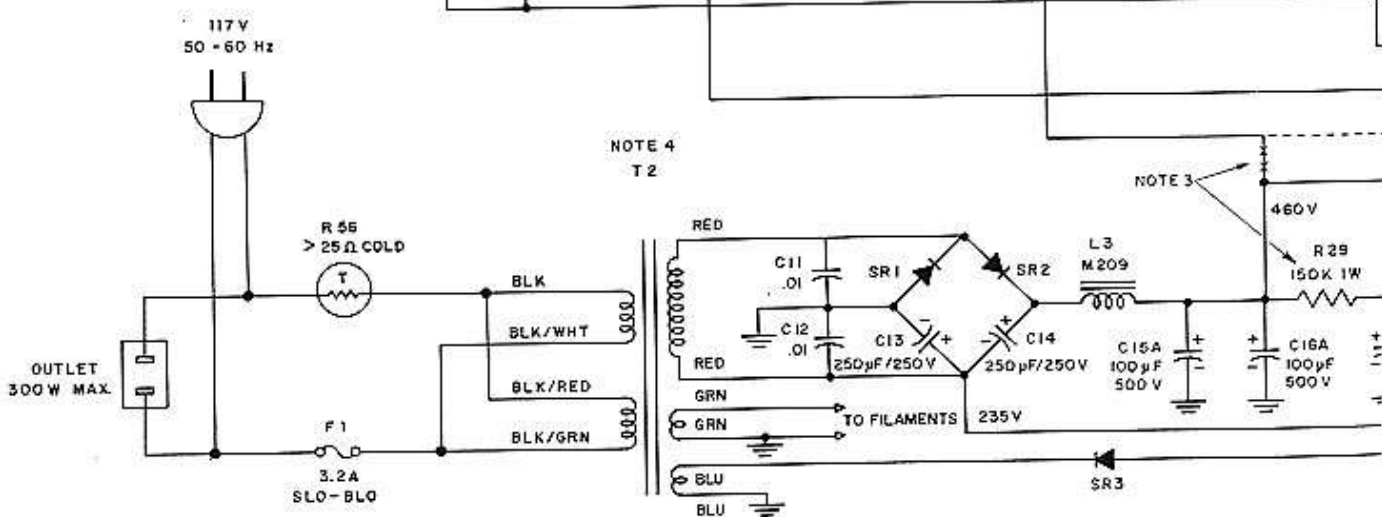
STARTING WITH SERIAL NO. 100B1

McINTOSH LABORATORY INC. 2 CHAMBERS STREET BINGHAMTON, NEW YORK

MC 75



INPUT SENSITIVITY IS 0.5 VOLTS WITH GAIN CONTROL CW, BUT SWITCH NOT ACTUATED. SENSITIVITY IS 2 VOLTS WITH GAIN CONTROL CW AND SWITCH ACTUATED.



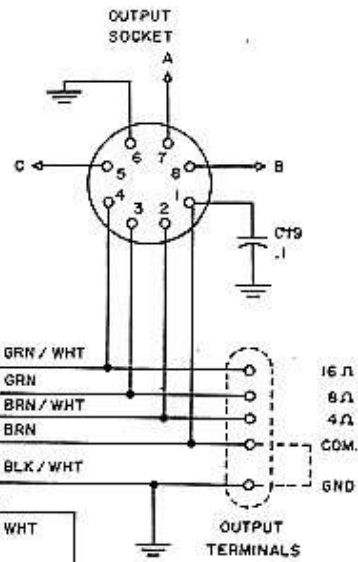
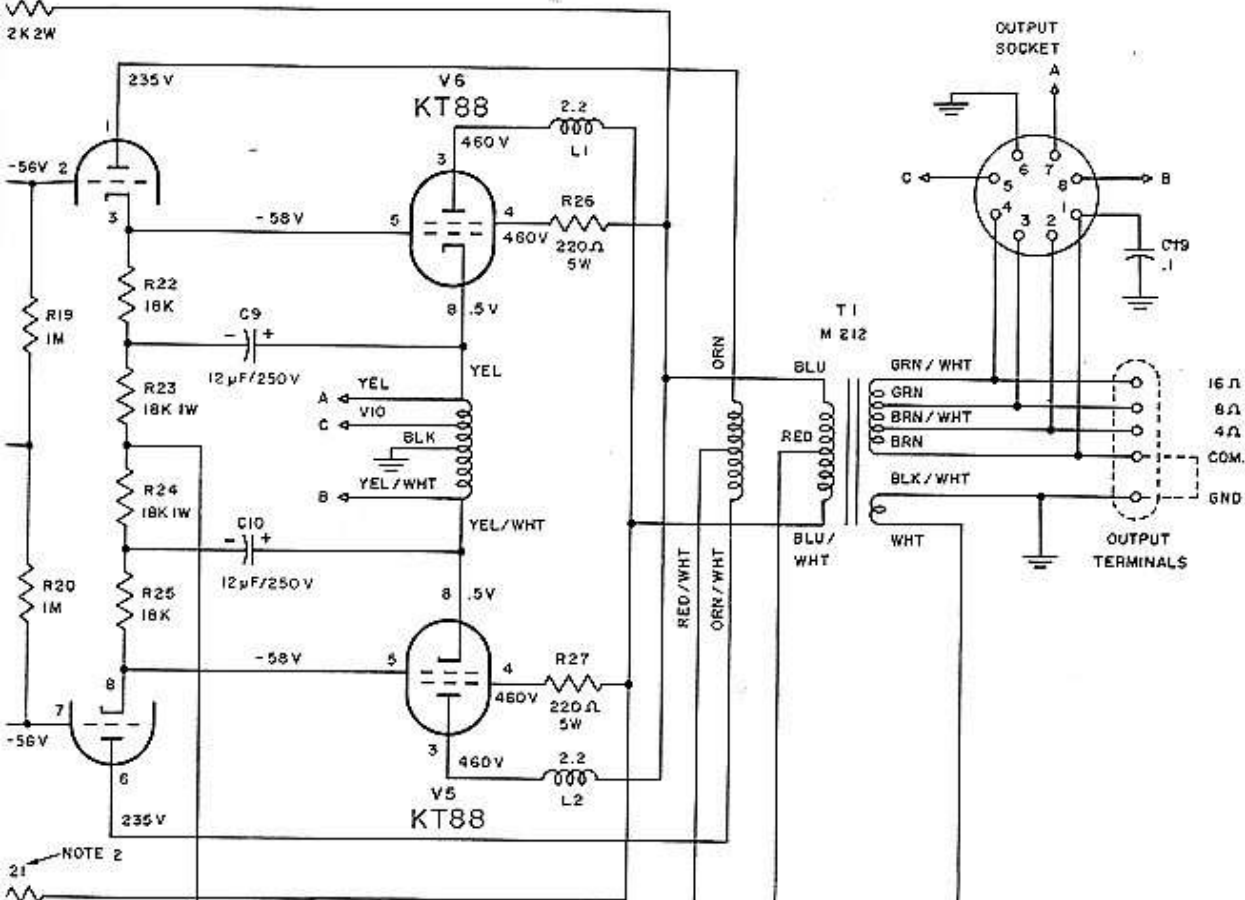
NOTE 4
T 2

NOTE 3

V4

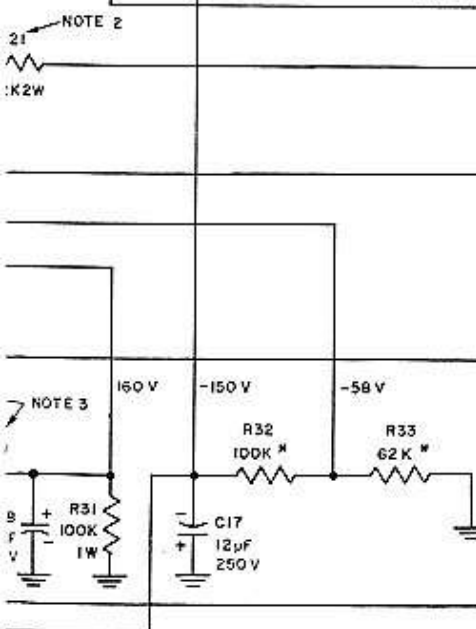
12AZ7 OR 12AT7

NOTE 2
R18
2K2W



OUTPUT SOCKET CONNECTIONS

IMPEDANCE (OHMS)	CONNECT TO
4	1 AND 2
8	1 AND 3
16	1 AND 4
67	5 AND 6
150	5 AND 7
600	7 AND 8
VOLTAGE (VOLTS)	CONNECT TO
25	1 AND 3
70.7	5 AND 6
120	6 AND 7
240	7 AND 8



VOLTAGE AND RESISTANCE CHART

Tube	Pin No.	DC Volts No. Signal	AC Volts at rated output	Resistance in Ohms Unit Off
12AX7 (V1)	1	132	2.1	150K ^o
	2	0	.47	22K
	3	1.2	.44	3.3K
	4 & 5	0	0	0
	6	0	0	0
	7	0	0	0
	8	0	0	0
	9	0	6.3	—
	12AU7 (V2)	1	265	12
2		132	2.1	150K
3		140	.96	18K
4 & 5		0	0	0
6		265	12	38K ^o
7		105	0	2.4M ^o
8		140	.96	18K
9		0	6.3	0
12BH7 (V3)		1	365	152
	2	26	12	200K
	3	48	.7	2.7K
	4 & 5	0	0	0
	6	365	152	12K
	7	26	12	200K
	8	48	.7	2.7K
	9	0	6.3	0
	12AT7/12AZ7 (V4)	1	235	112
2		-56	152	1M
3		-58	149	220K
4 & 5		0	0	0
6		235	112	30 ^{oo}
7		-56	152	1M
8		-58	149	220K
9		0	6.3	0
KT88/6550 (V5, V6)		1	—	—
	2	0	0 or 6.3	0
	3	460	116	20 ^o
	4	460	112	240 ^o
	5	-58	149	220K
	6	—	—	—
	7	0	6.3 or 0	0
	8	.5	116	14

^oThis resistance measured with condenser C15A shorted to ground.

^{oo}This resistance measured with condenser C13 shorted to ground.

High impedance VTVM is used to measure the operating voltages.

SCHEMATIC NOTES

- Unless otherwise specified, resistance values are in ohms, 1/2 watt, and 10% tolerance. Resistors marked with an asterisk (*) are 5% tolerance. Capacitance values smaller than 1 are in microfarads (μ F); values greater than 1 are in picofarads (pF). Inductors are in microhenries (μ H).
- R18 and R21 are matched to 1%.
- In units with serial numbers below 470B0: R11 is 27K 1/2W; R12 is 30K 1/2W; C20 is not used; C18 is used; R29 is 10K 2W; R30 is used. R11 & R12 are connected to the power supply as shown by dotted line there is no connection at point marked with "X".
- Power transformer T2 is connected as shown in detail "A" in early units.

ELECTRICAL SPECIFICATIONS

POWER OUTPUT

75 watts continuous

HARMONIC DISTORTION

Less than 0.5% at 75 watts output or less from 20Hz through 20kHz.

INTERMODULATION

Less than 0.5% for any combination of frequencies from 20Hz through 20kHz if instantaneous peak power is below 150 watts.

PHASE SHIFT

Less than $\pm 8^\circ$ from 20Hz through 20kHz.

FREQUENCY RANGE

At 75 watts output:
+0 to -0.1dB from 16Hz through 10kHz
+0 to -0.5dB from 16Hz through 60kHz

At 38 watts output:
+0 to -1dB from 10Hz through 100kHz

HUM AND NOISE

90dB or more below rated output.

OUTPUT IMPEDANCE

4 ohms, 8 ohms, 16 ohms, 67 ohms, 150 ohms, and 600 ohms. The 600 ohm winding is balanced to ground and center tapped.

OUTPUT VOLTAGES

25 volts, 70.7 volts, 115 volts and 230 volts.

INTERNAL IMPEDANCE

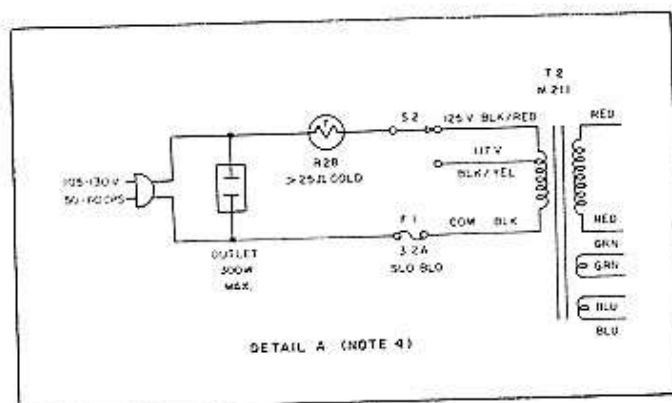
Less than 10% of rated load impedance.

INPUT

Input impedance - 250,000 ohms
Input sensitivity - 0.5 volts to 30 volts.

POWER REQUIREMENTS

117 volts AC, 50/60 cps. Uses 240 watts at 75 watts output; 140 watts at zero signal output.



REPLACEMENT PARTS

All parts not listed are common items obtainable from radio parts jobbers.

Replacement parts may be obtained when ordered by PART NUMBER from:

McIntosh Laboratory Inc.
Customer Service Department
2 Chambers Street
Binghamton, New York 13903
(telephone 607-723-3512)

CAPACITORS

Symbol Number	Description	Part Number
C2	Tubular ceramic 330pF	061-030
C3	Elect. 100 μ F 3V	066-047
C9,10	Elect. 12 μ F 250V	066-046
C13	Elect. 250 μ F 250V	066-022
C14	Elect. 250 μ F 250V	066-023
C15,16	Elect. 100/30 μ F 500/1.50V	066-027

RECTIFIERS

SR1,2	Si. rectifier	070-032
SR3	Se. rectifier	070-005

FUSE

F1	Fuse 3.2 amp, slo-blo	089-006
----	-----------------------	---------

CHOKES

L1,2	Choke 2.2 μ H	122-001
------	-------------------	---------

RESISTORS & POTENTIOMETERS

R3	Gain control	134-014
R26,27	Wirewound 220 Ω	139-009
R28	Thermistor	144-006

SWITCH

S2	Line voltage switch	148-004
----	---------------------	---------

TUBES

V1	12AX7	165-019
V2	12AU7	165-018
V3	12BH7	165-020
V4	12AZ7	165-021
V5,6	KT88	165-024

TRANSFORMERS

T1	Output	043-141
T2	Power	043-142

MISCELLANEOUS ITEMS

Mounting flanges	001-271
Plastic feet	017-040
Owners manual	038-010
Mounting template	038-114
Hardware package	043-436
Gain control knob	090-017
Octal plug cap	127-004
Octal plug	127-006
AC power cord	170-021
Fuseholder	178-001
Shipping carton	033-015

15C10036S-M8290