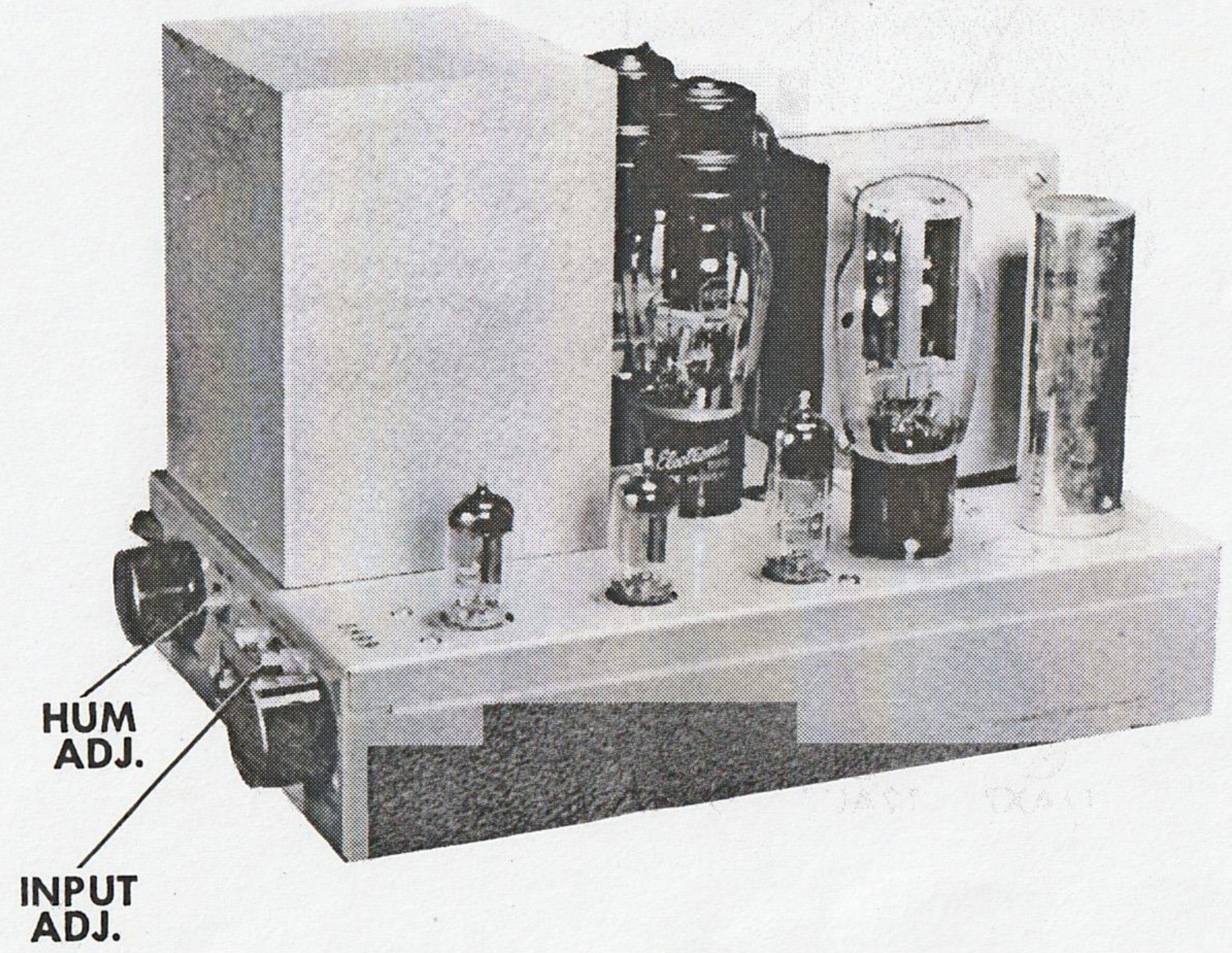


PHOTOFACT* Folder



McINTOSH
MODEL A-116

McINTOSH
MODEL A-116



TRADE NAME	McIntosh Model A-116	
MANUFACTURER	McIntosh Laboratory, Inc., 320 Water St., Binghamton, N. Y.	
TYPE SET	AC Operated 30 Watt Audio Amplifier	
TUBES (Six)	Types 12AX7 AF Amp., 12AU7 AF Amp-Phase Inv., 12BH7 Driver, (2) 6B6G6 Audio Output, 5U4G Rectifier	
POWER SUPPLY	112/120 Volts AC-60 Cycles	RATING 1.04 Amp. @ 117 Volts AC

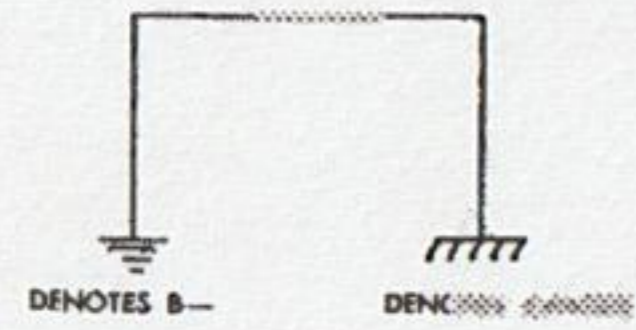
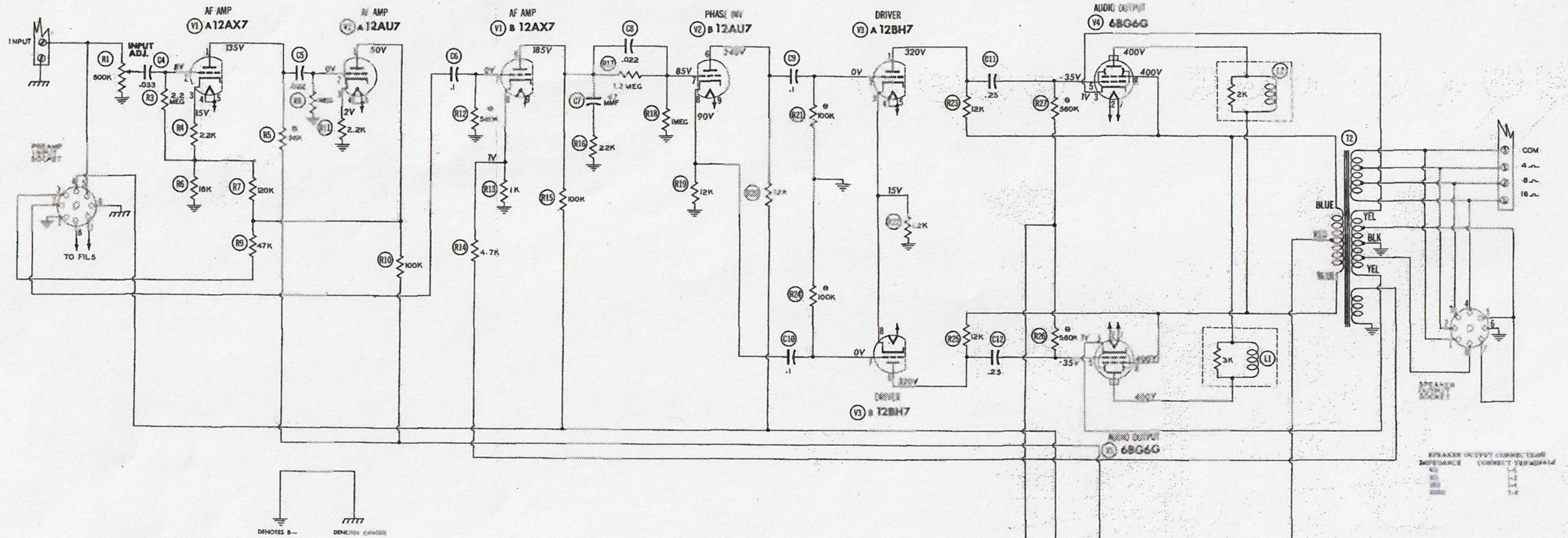
HOWARD W. SAMS & CO., INC. • Indianapolis 5, Indiana

"The listing of any available replacement part herein does not constitute in any case a recommendation, warranty or guaranty by Howard W. Sams & Co., Inc., as to the quality and suitability of such replacement part. The numbers of these parts have been compiled from information furnished to Howard W. Sams & Co., Inc., by the manufacturers of the particular type of replacement part listed."

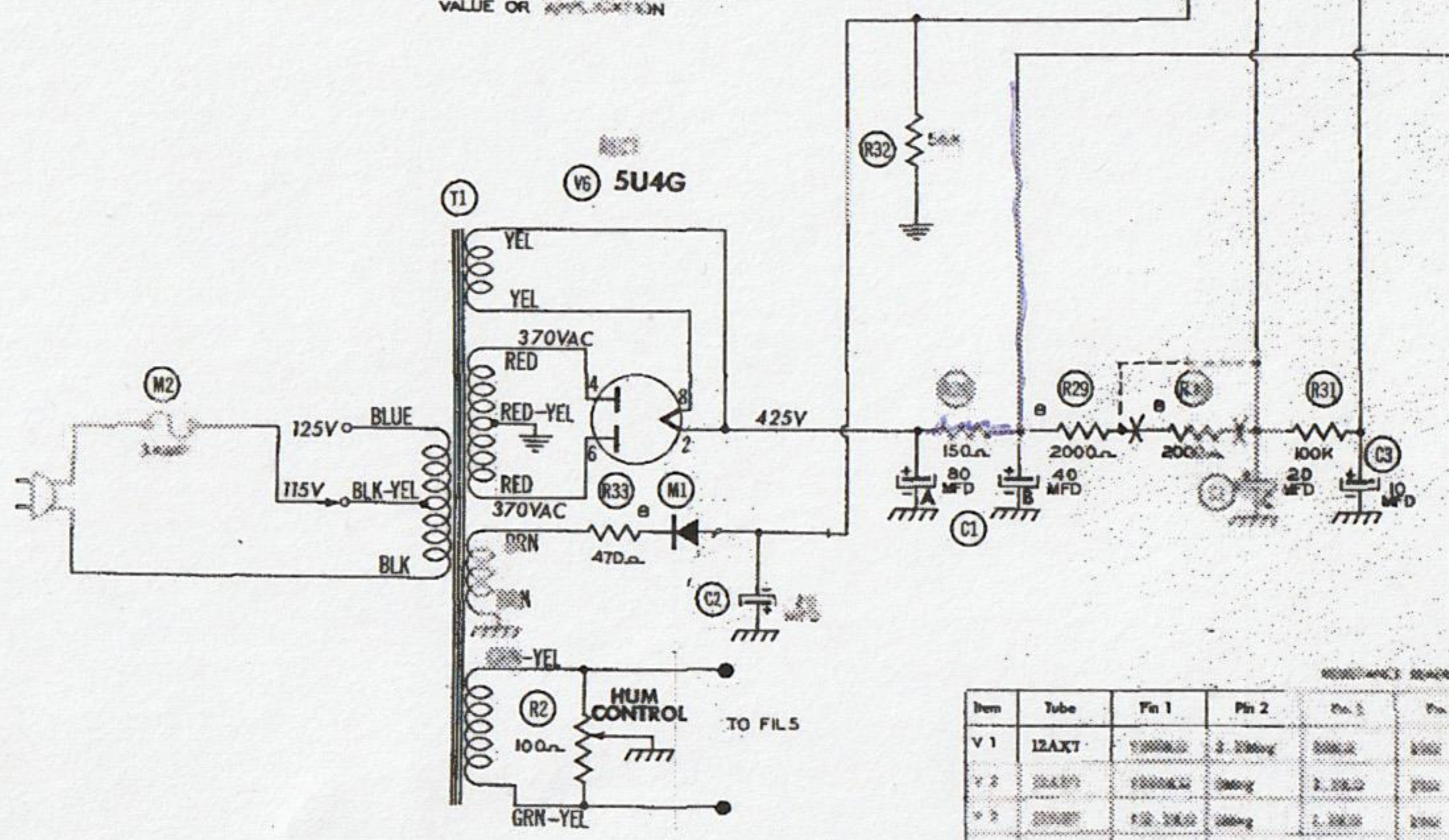
tent, in any manner, is prohibited. No patent liability is assumed with respect to the use of the information contained herein. Copyright 1954 by Howard W. Sams & Co., Inc., Indianapolis 5, Indiana, U. S. of America. Copyright under International Copyright Union. All rights reserved under Inter-American Copyright Union (1910) by Howard W. Sams & Co., Inc. Printed in U. S. of America

DATE 11-54

SET 257 FOLDER



SEE PARTS LIST FOR ALTERNATE VALUE OR APPLICATION



1. DC voltage connections taken with positive lead grounded.
2. AC voltage connections at 3000 ohm per volt.
3. Positive + signs are shown in red to indicate negative.
4. Line voltage substituted at 117 volt per voltage reading.
5. Resistor connections are indicated where possible a notation of a 5% to 10% tolerance is shown.
6. AC voltage in white circles, ground symbol if connected.

THE COOPERATION OF THE MANUFACTURERS OF THIS EQUIPMENT MAKES IT POSSIBLE TO BRING YOU THIS SERVICE

RESISTANCE SUMMARY

Item	Tube	Pin 1	Pin 2	Pin 3	Pin 4	Pin 5	Pin 6	Pin 7	Pin 8	Pin 9
V 1	12AX7	1000KΩ	2.2MΩ	500KΩ	15V	250	1000KΩ	500KΩ	250KΩ	250
V 2	12AU7	1000KΩ	100KΩ	2.2MΩ	250	250	1000KΩ	10.2MΩ	500KΩ	250
V 3	12BH7	150	250	1.5MΩ	250	250	100KΩ	100KΩ	1.5MΩ	250
V 4	68G6G	250	250	1000KΩ	1000KΩ	250	250	1000KΩ	1000KΩ	250
V 5	5U4G	INF	250	250	1000KΩ	1000KΩ	250	250	1000KΩ	1000KΩ
V 6	5000	20KΩ	250	250	1.5MΩ	250	250	250	250	250

† MEASURED FROM PIN 1 OF V1
 * MEASURED FROM VOLTAGE OF M1

PARTS LIST AND DESCRIPTIONS

TUBES (SYLVANIA, GENERAL ELECTRIC, WESTINGHOUSE)

MC INTOSH
MODEL A-118

CHASSIS—TOP VIEW

ITEM No.	USE	REPLACEMENT DATA		RETMA BASE TYPE	NOTES
		MC INTOSH PART No.	STANDARD REPLACEMENT		
V1	AF Amplifier	12AX7	12AX7	9A	
V2	AF Amplifier-Phase Inverter	12AU7	12AU7	9A	
V3	Driver	12BH7	12BH7	9A	
V4	Audio Output	6BG6G	6BG6G	5BT	
V5	Audio Output	6BG6G	6BG6G	5BT	
V6	Rectifier	5U4G	5U4G	5T	

CAPACITORS

Capacity values given in the rating column are in mfd. for Electrolytic and Paper Capacitors, and in mmfd. for Mica and Ceramic Capacitors.

ITEM No.	RATING		REPLACEMENT DATA						NOTES	
	CAP.	VOLT	MC INTOSH PART No.	AEROVOX PART No.	CENTRALAB PART No.	CORNELL-DUBILIER PART No.	ERIE PART No.	MALLORY PART No.		SPRAGUE PART No.
C1A	.80	450		AFH3-46		C037		FP378	TVL-3787 TVA-1709	
B	.40	450								
C	.20	450								
C2	20	150		PRS150/20		BR2015		TC45	TVA-1410	
C3	10	450		PRS450/10		BR1045		TC72	TVA-1705	
C4	.033	600		P688-033		CUB6S33		PT6133	6TM-S33	
C5	.022	400		P488-022		CUB4S22		PT4122	4TM-S22	
C6	.1	400		P488-1	DF-104	CUB4P1	GPIK-470	PT401	4TM-P1	
C7	.47	400		SI47	D6-470	TP29		UC-5447	5GA-Q47	
C8	.022	400		P488-022		CUB4S22		PT4122	4TM-S22	
C9	.1	400		P488-1	DF-104	CUB4P1		PT401	4TM-P1	Note 1
C10	.1	400		P488-1	DF-104	CUB4P1		PT401	4TM-P1	Note 1
C11	.25	600		P688-25		CUB6P25		PT6025	6TM-P25	
C12	.25	600		P688-25		CUB6P25		PT6025	6TM-P25	

Note 1. Some models may use an .033MFD @ 400V in this application.

CONTROLS

ITEM No.	RATING		REPLACEMENT DATA				INSTALLATION NOTES	
	RESISTANCE	WATTS	MC INTOSH PART No.	IRC PART No.	CLAROSTAT PART No.	CENTRALAB PART No.		MALLORY PART No.
R1A	500K Ω	$\frac{1}{2}$	6152742	Q11-133	A47-500K-S	AB-59	U-50	Input adj. Attach to R1A
B	Shaft		Not Req.	Not Req.	FKS-1/4	AK-1	Not Req.	
R2A	100 Ω	2			A43-100			Hum adj. - wire wound
B	Shaft				FKS-1/4			Attach to R2A

RESISTORS

ITEM No.	RATING		REPLACEMENT DATA		NOTES	ITEM No.	RATING		REPLACEMENT DATA		NOTES
	OHMS	WATT	MC INTOSH PART No.	IRC PART No.			OHMS	WATT	MC INTOSH PART No.	IRC PART No.	
R3	2.2Meg	$\frac{1}{2}$		BTS-2.2Meg		R18	1 Meg	$\frac{1}{2}$		BTS-1 Meg	
R4	2200 Ω	$\frac{1}{2}$		BTS-2200		R19	12K Ω	$\frac{1}{2}$		BTA-12K	
R5	56K Ω	1		BTA-56K	Note 4	R20	12K Ω	$\frac{1}{2}$		BTA-12K	
R6	18K Ω	1		BTA-18K		R21	100K Ω	$\frac{1}{2}$		BTS-100K	Note 5
R7	120K Ω	$\frac{1}{2}$		BTS-120K		R22	1200 Ω	$\frac{1}{2}$		BTS-1200	
R8	1 Meg	$\frac{1}{2}$		BTS-1 Meg		R23	12K Ω	$\frac{1}{2}$		BTA-12K	
R9	47K Ω	$\frac{1}{2}$		BTS-47K		R24	100K Ω	$\frac{1}{2}$		BTS-100K	Note 5
R10	100K Ω	$\frac{1}{2}$		BTS-100K		R25	12K Ω	$\frac{1}{2}$		BTA-12K	
R11	2200 Ω	$\frac{1}{2}$		BTS-2200		R26	560K Ω	$\frac{1}{2}$		BTS-560K	Note 1
R12	560K Ω	$\frac{1}{2}$		BTS-560K	Note 1	R27	560K Ω	$\frac{1}{2}$		BTS-560K	Note 1
R13	1000 Ω 5%	$\frac{1}{2}$		BTS-1000 5%		R28	150 Ω	10		1 3/4A-150	
R14	4700 Ω	$\frac{1}{2}$		BTS-4700		R29	2000 Ω	1		BTA-2000	Note 2
R15	100K Ω	$\frac{1}{2}$		BTS-100K		R30	2000 Ω	1		BTA-2000	Note 2
R16	22K Ω	$\frac{1}{2}$		BTS-22K		R31	100K Ω	$\frac{1}{2}$		BTS-100K	
R17	1.2Meg	$\frac{1}{2}$		BTS-1.2Meg		R32	56K Ω	$\frac{1}{2}$		BTS-56K	
						R33	470 Ω	$\frac{1}{2}$		BTS-470	Note 3

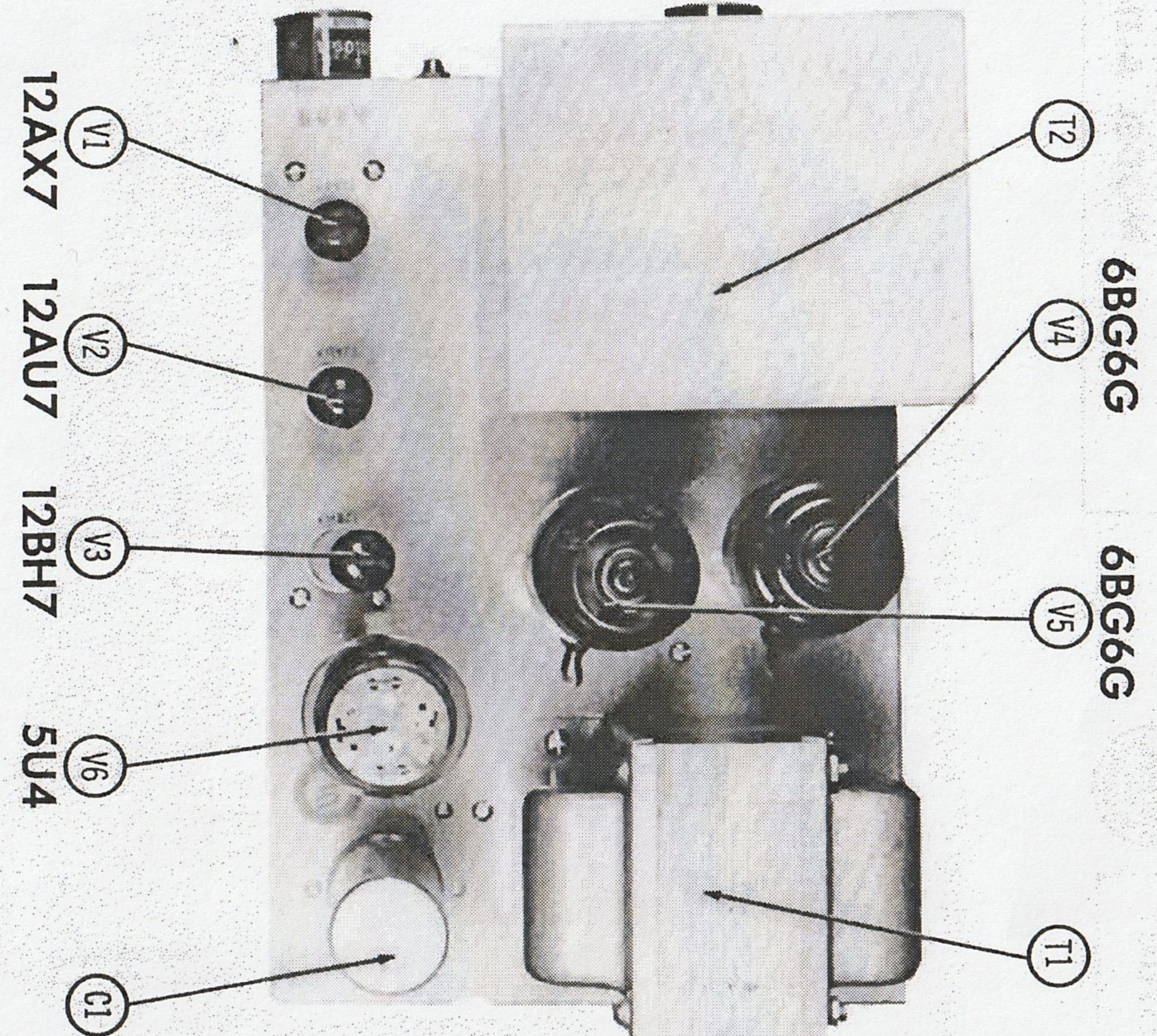
Note 1. Some models may use a 1 Meg resistor in this application.

Note 2. Some models may use a single 44K Ω 2 watt resistor in this application.

Note 3. Some models may use a 680 Ω resistor in this application.

Note 4. Some models may use a 47K Ω resistor in this application.

Note 5. Some models may use a 560K Ω resistor in this application.



PARTS LIST AND DESCRIPTIONS (Continued)

TRANSFORMER (POWER)

ITEM No.	RATING				REPLACEMENT DATA					
	PRI.	SEC. 1	SEC. 2	SEC. 3	MC INTOSH PART No.	Stancor PART No.	Merit PART No.	Triad PART No.	Halldorson PART No.	Thordarson PART No.
	T1	117VAC @1.04A	734VCT .130ADC	36VAC .0009ADC	5VAC @ 3A SEC. 4 6.3VAC 3.4A					

TRANSFORMER (AUDIO OUTPUT)

ITEM No.	IMPEDANCE		REPLACEMENT DATA						NOTES
	PRI.1	SEC.2	MC INTOSH PART No.	Stancor PART No.	Merit PART No.	Triad PART No.	Halldorson PART No.	Thordarson PART No.	
	T2	1KΩ CT PRI. 2 37.4Ω tap @ 31Ω RES.	16Ω tap @ 3Ω, 4Ω SEC. 2 1.46Ω RES.						

COILS (RF-IF)

ITEM No.	USE	DC RES.		REPLACEMENT DATA				NOTES
		PRI.	SEC.	MC INTOSH PART No.	MEISSNER PART No.	MERIT PART No.	MILLER PART No.	
		L1	RF Choke	0Ω			19-1000*	
L2	RF Choke	0Ω			19-1002 †		4606 †	

† Parallel with 3KΩ resistor.
* Parallel with 2KΩ resistor.

SELENIUM RECTIFIER

ITEM No.	RATING	REPLACEMENT DATA						NOTES
	CURRENT	MC INTOSH PART No.	FEDERAL PART No.	INTERNATIONAL PART No.	MALLORY PART No.	SARKES TARZIAN PART No.	SELETRON PART No.	
M1	.0009A							

FUSES

ITEM No.	TYPE	RATING	REPLACEMENT DATA					
			MC INTOSH PART No.		LITTELFUSE PART No.		BUSS PART No.	
			FUSE	HOLDER	FUSE	HOLDER	FUSE	HOLDER
M2	3AG	3A 250V			312003	342001	AGC 1	HKP

CHASSIS—BOTTOM VIEW

