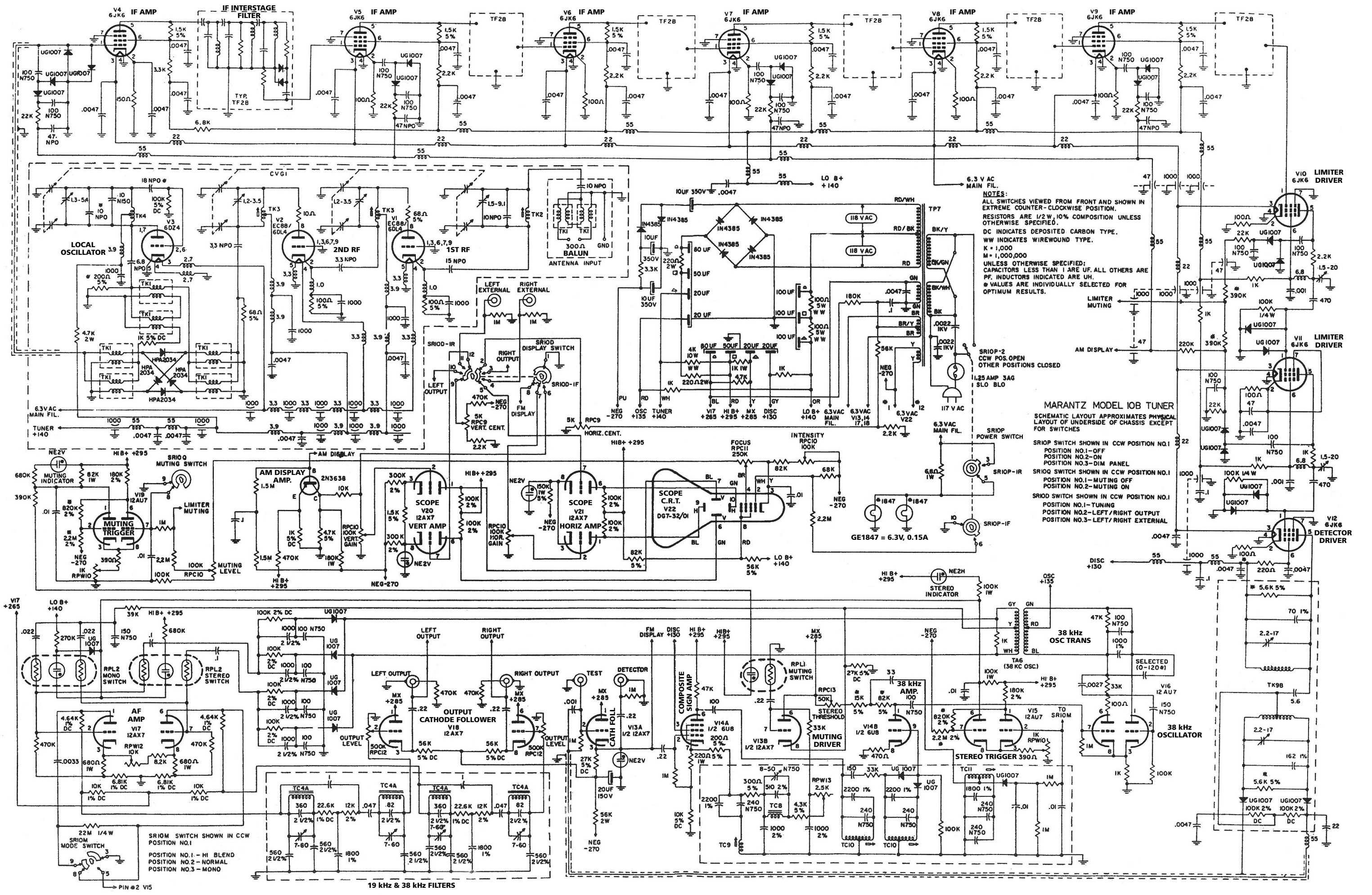


Marantz 10B



NOTES:
ALL SWITCHES VIEWED FROM FRONT AND SHOWN IN EXTREME COUNTER-CLOCKWISE POSITION. RESISTORS ARE 1/2 W, 10% COMPOSITION UNLESS OTHERWISE SPECIFIED.
DC INDICATES DEPOSITED CARBON TYPE.
WW INDICATES WIREWOUND TYPE.
K = 1,000
M = 1,000,000
UNLESS OTHERWISE SPECIFIED, ALL CAPACITORS LESS THAN 1 μF ARE UF. ALL OTHERS ARE PF. INDUCTORS INDICATED ARE OH.
VALUES ARE INDIVIDUALLY SELECTED FOR OPTIMUM RESULTS.

MARANTZ MODEL 10B TUNER
SCHEMATIC LAYOUT APPROXIMATES PHYSICAL LAYOUT OF UNDERSIDE OF CHASSIS EXCEPT FOR SWITCHES
SR10Q SWITCH SHOWN IN CCW POSITION NO.1
POSITION NO.1-OFF
POSITION NO.2-ON
POSITION NO.3-DIM PANEL
SR10Q SWITCH SHOWN IN CCW POSITION NO.1
POSITION NO.1-MUTING OFF
POSITION NO.2-MUTING ON
SR10P SWITCH SHOWN IN CCW POSITION NO.1
POSITION NO.1-TUNING
POSITION NO.2-LEFT/RIGHT OUTPUT
POSITION NO.3-LEFT/RIGHT EXTERNAL

SR10M SWITCH SHOWN IN CCW POSITION NO.1
POSITION NO.1 - HI BLEND
POSITION NO.2 - NORMAL
POSITION NO.3 - MONO

19 kHz & 38 kHz FILTERS

38 kHz OSC TRANS
38 kHz OSCILLATOR

PIN #2 V15